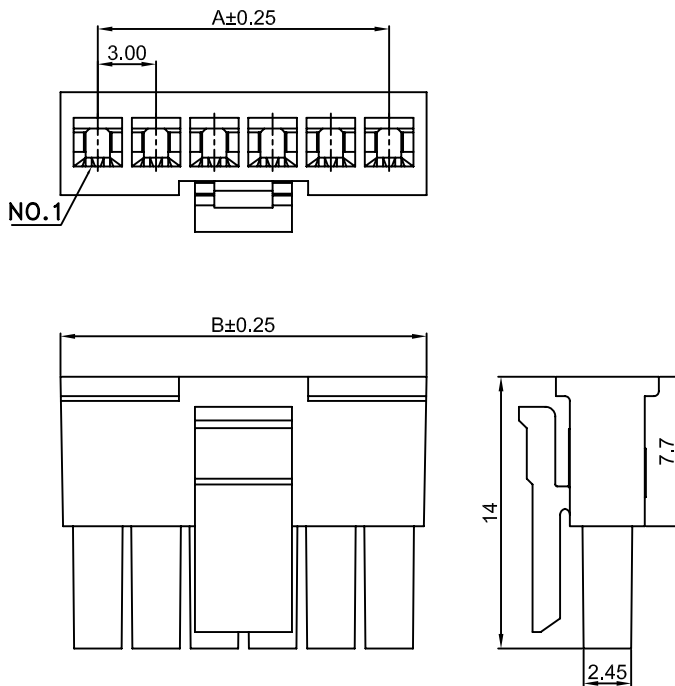




Wire to Wire  
Connectors

## Housing 2W3001 Series



### Specifications:

2W

- Rated Voltage: 250V AC,DC
- Rated Current: 5.0A AC,DC
- Withstand Voltage: 1500V AC/Minute
- Contact Resistance:  $10m \Omega$  (Max.)
- Insulation Resistance:  $1,000M \Omega$  (Min.)
- Temperature Range:  $-40^{\circ}C \sim +105^{\circ}C$

### Material:

- Color: Black
- PBT UL 94V-0

### Use With:

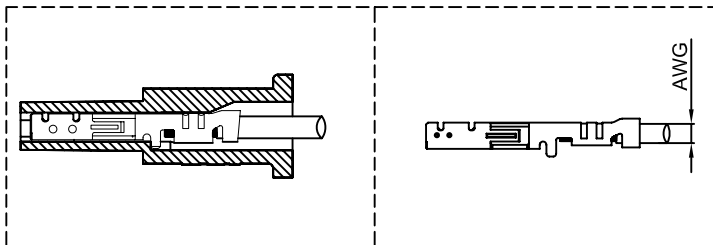
- Use With: 2W3001TOFP-6/5

### Mates With:

- Mates With: 2W3001HOF0-XX  
2W3001HOF0-XXP

### Dimensional & Ordering Information :

Cir- cuits	Parts No.	Dimension mm		Q'ty/ Bag
		A	B	
02	2W3001HOM0-02K	3.0	6.85	1,000
03	2W3001HOM0-03K	6.0	9.85	1,000
04	2W3001HOM0-04K	9.0	12.85	1,000
05	2W3001HOM0-05K	12.0	15.85	1,000
06	2W3001HOM0-06K	15.0	18.85	1,000
07	2W3001HOM0-07K	18.0	21.85	1,000
08	2W3001HOM0-08K	21.0	24.85	1,000
09	2W3001HOM0-09K	24.0	27.85	1,000
10	2W3001HOM0-10K	27.0	30.85	1,000
11	2W3001HOM0-11K	30.0	33.85	1,000
12	2W3001HOM0-12K	33.0	36.85	1,000



TERMINAL ASSEMBLY DRAWING

AWG:#20~#24

UL: Recognized NO. E306230