



Wire to Board
Connectors

Housing 1W0801 Series



Specifications:

1W

- Rated Voltage: 30V AC,DC
- Rated Current: 1.0A AC,DC
- Withstand Voltage: 200V AC/Minute
- Contact Resistance: 100mΩ (Max.)
- Insulation Resistance: 100MΩ (Min.)
- Temperature Range: -25°C~+85°C

Material:

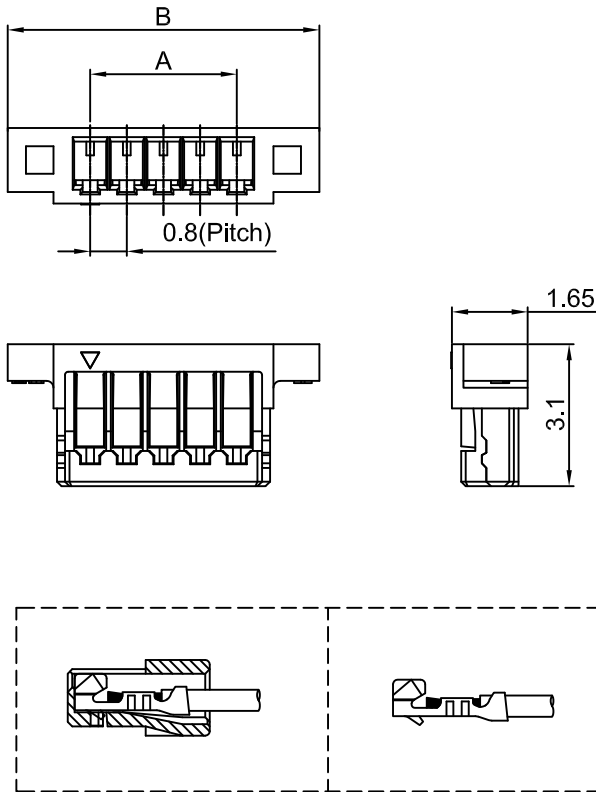
- Color: Natural
- P.B.T UL 94V-0

Use With:

- Use With: 1W0801TOP-2

Mates With:

- Mates With: 1W0801WOR0-XX
1W0801WOV0-XX



TERMINAL ASSEMBLY DRAWING

AWG#28-36

Dimensional & Ordering Information :

Circuits	Parts No.	Dimension mm		Q'ty/ Bag
		A	B	
02	1W0801HO0-02	0.8	4.4	1,000
03	1W0801HO0-03	1.6	5.2	1,000
04	1W0801HO0-04	2.4	6.0	1,000
05	1W0801HO0-05	3.2	6.8	1,000
06	1W0801HO0-06	4.0	7.6	1,000
07	1W0801HO0-07	4.8	8.4	1,000
08	1W0801HO0-08	5.2	9.2	1,000
09	1W0801HO0-09	6.4	10.0	1,000
10	1W0801HO0-10	7.2	10.8	1,000
11	1W0801HO0-11	8.0	11.6	1,000
12	1W0801HO0-12	8.8	12.4	1,000
13	1W0801HO0-13	9.6	13.2	1,000
14	1W0801HO0-14	10.4	14.0	1,000
15	1W0801HO0-15	11.2	14.8	1,000
16	1W0801HO0-16	12.0	15.6	1,000
17	1W0801HO0-17	12.8	16.4	1,000
18	1W0801HO0-18	13.6	17.2	1,000
19	1W0801HO0-19	14.4	18.0	1,000
20	1W0801HO0-20	15.2	18.8	1,000
21	1W0801HO0-21	16.0	19.6	1,000
22	1W0801HO0-22	16.8	20.4	1,000

UL: Recognized NO. E306230