



Wire to Board
Connectors

Emboss
Type

SMT
Type

1W1502 Series
Wafer Vertical

Specifications:

1W

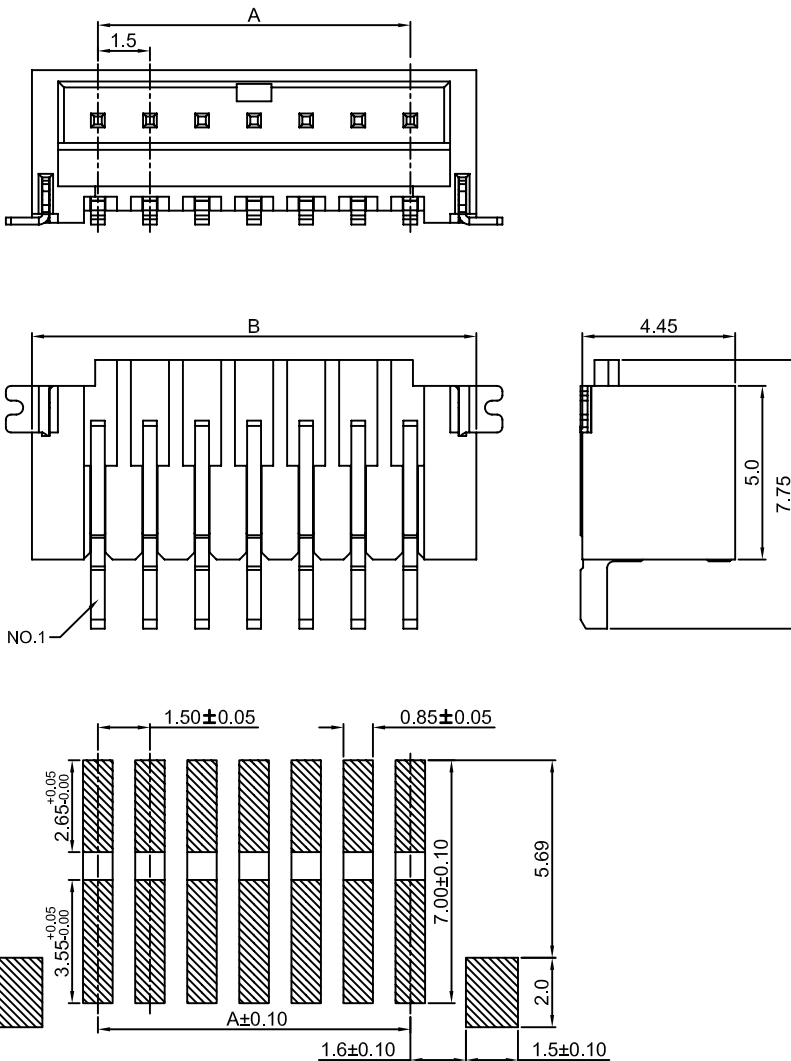
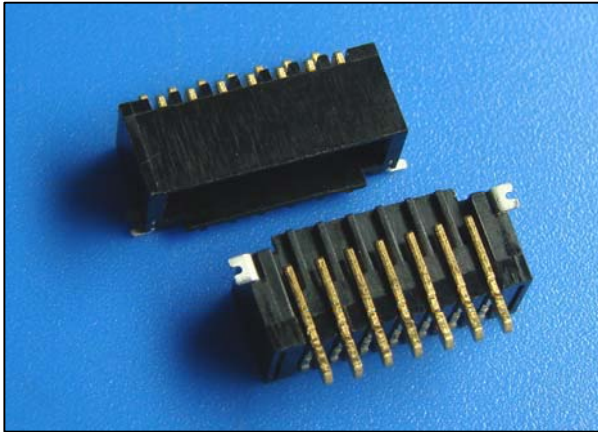
- Rated Voltage: 350V AC,DC
- Rated Current: 3.0A AC,DC
- Withstand Voltage: 500V AC/Minute
- Contact Resistance: 40mΩ (Max.)
- Insulation Resistance: 1,000MΩ (Min.)
- Temperature Range: -25°C~+85°C

Material:

- Base: High Temperature Plastic Black UL 94V-0
- PIN: Brass, Tin-plated or Gold-plated
- Solder tab: Brass, Tin-plated

Mates With:

- Mates With: 1W1502HO0-XX



P.C.B. LAYOUT

Dimensional & Ordering Information :

Circuits	Parts No.	Dimension mm		Q'ty/ Reel
		A	B	
02	1W1502WOR0-02S	1.5	5.3	800
03	1W1502WOR0-03S	3.0	6.8	800
04	1W1502WOR0-04S	4.5	8.3	800
05	1W1502WOR0-05S	6.0	9.8	800
06	1W1502WOR0-06S	7.5	11.3	800
07	1W1502WOR0-07S	9.0	12.8	800
08	1W1502WOR0-08S	10.5	14.3	800
09	1W1502WOR0-09S	12.0	15.8	800
10	1W1502WOR0-10S	13.5	17.3	800
11	1W1502WOR0-11S	15.0	18.8	800
12	1W1502WOR0-12S	16.5	20.3	800
13	1W1502WOR0-13S	18.0	21.8	800
14	1W1502WOR0-14S	19.5	23.3	800
15	1W1502WOR0-15S	21.0	24.8	800
16	1W1502WOR0-16S	22.5	26.3	800
17	1W1502WOR0-17S	24.0	27.8	800
18	1W1502WOR0-18S	25.5	29.3	800
19	1W1502WOR0-19S	27.0	30.8	800
20	1W1502WOR0-20S	28.5	32.3	800

S: With Solder tab

UL: Recognized NO. E306230